

ND840

DRIVER

DESCRIPTION

The ND840 is a high performance 3-inch diaphragm compression driver with a 1.4 inch exit throat featuring the smallest size of the art technology.

The diaphragm are precision completely formed from pure titanium. Voice coil assembly is designed using high temperature kapton former and it is joined to the diaphragm by RCF proprietary Direct Drive kapton technology. Diaphragm suspension is designed by extensive FEM study for low distortion and low frequency range extension.



FEATURES

- 3-inch Diaphragm, 1.4-inch Exit Throat / Pure Titanium Compression Driver
- 220W continuous program power handling
- Frequency range: 500Hz - 20kHz
- 3-slot optimized geometry phase plug
- Titanium diaphragm
- Copper inductance ring for extended response
- Vented, damped, low distortion suspension system
- Neodymium magnet assembly

TECHNICAL SPECIFICATIONS

General specifications

Exit Throat Diameter:	1.4 inch / 36 mm
Related Impedance:	8 ohm
Program Power (watt):	220 W
Power handling capacity (watt):	110 W
Sensitivity:	109 dB
Frequency range:	500 - 20000 Hz
Diaphragm Material:	Pure Titanium
Suspension Material:	Pure Titanium
Suspension Design:	Double Roll
Minimum Impedance (ohm):	7.00 ohm
Voice Coil Diameter:	3.0 inch / 76 mm
Voice Coil Material:	Edgewound Aluminium
Voice Coil Former Design:	Direct Drive Kapton
Number of layers:	1
Kind of layers:	inside/outside
Flux Density:	2.0 T
Phase Plug Design:	3 slot
Phase Plug Material:	Aluminium
Magnetics:	Neodymium
Voice Coil Demodulation Ring	Copper

Thiele - small parameters

BI factor (BI) (T x m):	12.30 T x m
-------------------------	-------------

Mounting informations

Overall diameter:	115 mm / 4.53 inches
Overall height:	46 mm / 1.81 inches
Mounting:	4 x 6 mm threaded holes at 90°

Standard compliance

CE marking:	Yes
-------------	-----

Size

Weight:	1.4 kg / 3.09 lbs
---------	-------------------

Shipping informations

Package Height:	85 mm / 3.35 inches
Package Width:	160 mm / 6.3 inches
Package Depth:	155 mm / 6.1 inches
Package Weight:	1.7 kg / 3.75 lbs

PART NUMBER

- **15129052**

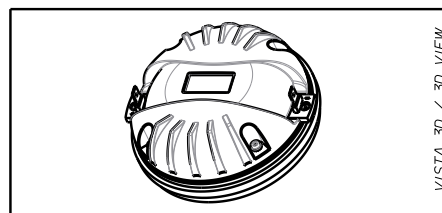
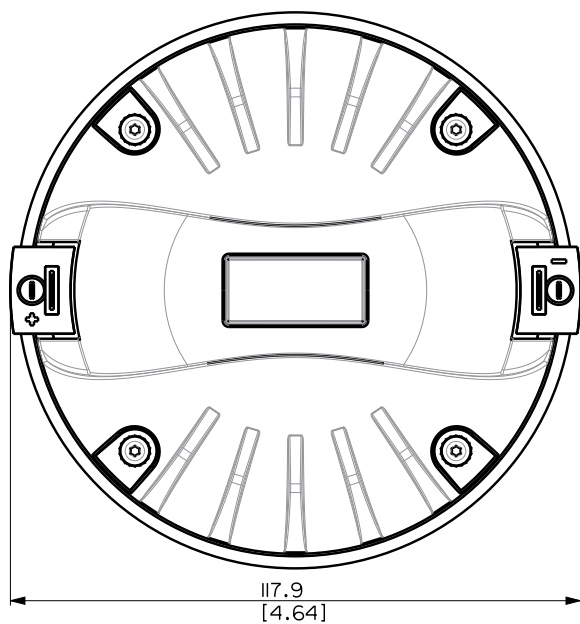
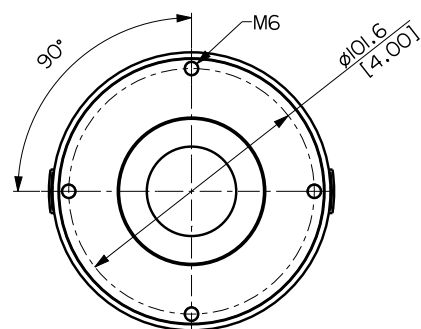
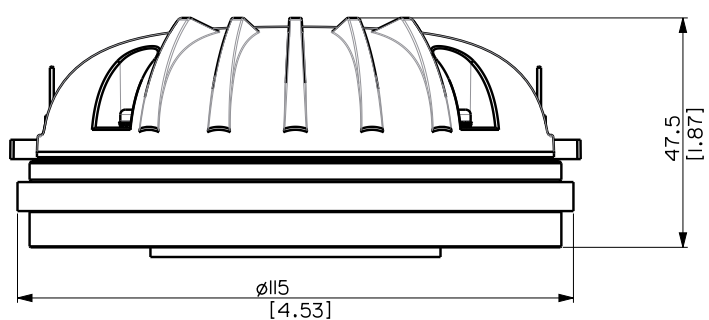
ND840

8ohm

- **15100004**

ND840

16ohm



C.DRIVER ND840 8 OHM

REV.
A

