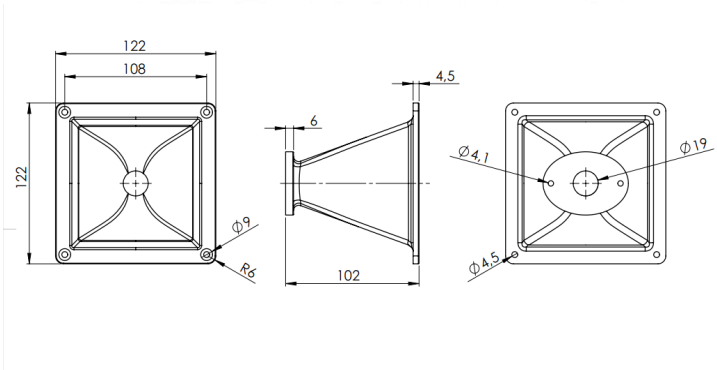
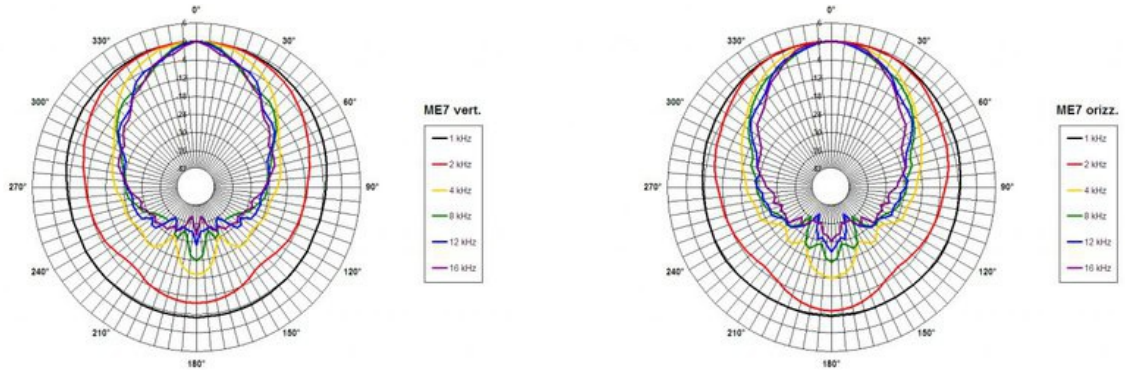


# ME7

Horns - 0.75 Inches



- Exponential flare with great directivity control
- 60° x 40° nominal coverage
- 3/4" throat entry
- Excellent loading down to 2 kHz



### SPECIFICATIONS<sup>1</sup>

Throat diameter	19 mm (0.75 in)
Nominal coverage horizontal	60 °
Nominal coverage vertical	40 °
Cutoff frequency	2.0 kHz
Material	ABS
Dimensions	122x122x102 mm (4.8x4.8x4 in)

### MOUNTING AND SHIPPING INFO

Baffle cutout dimension	102.7x102.7 mm (4x4 in)
Net weight	0.1 kg (0.22 lb)
Shipping units	20
Shipping weight	5.0 kg (11.0 lb)
Shipping box	540x350x390 mm (21.2x13.8x15.3 in)

1. Horn mounted on B&C DE 7 compression driver.