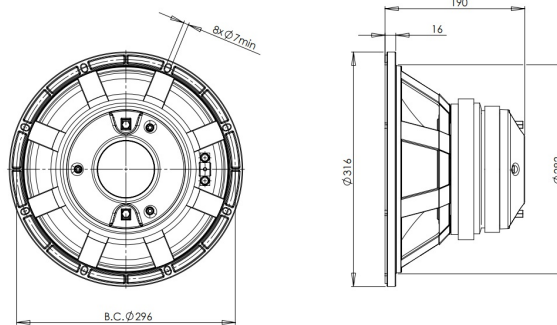


12CX32

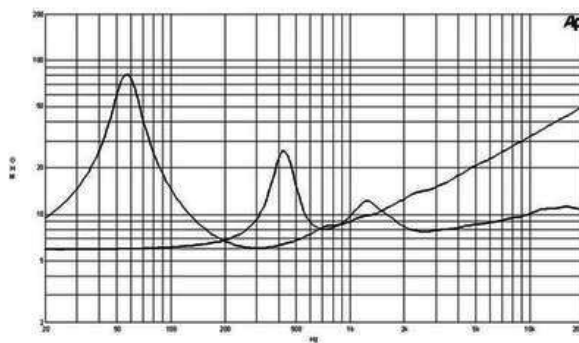
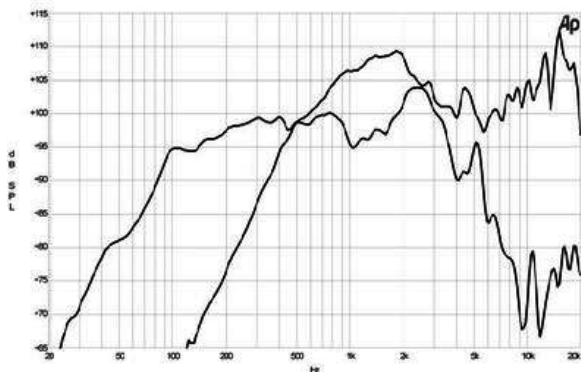
8Ω**Coaxials - 12.0 Inches**

- 700 W continuous program power capacity
- 80° nominal coverage
- 55 - 20000 Hz response
- 99 dB sensitivity
- 59.3 mm (2.33") HF unit exit diameter
- XO-3 dedicated crossover network



12CX32

Coaxials- 12.0 Inches



SPECIFICATIONS

| | |
|-------------------------------|------------------|
| Nominal Diameter | 320 mm (12.0 in) |
| Nominal Impedance | 8 Ω |
| Minimum Impedance LF | 6.2 Ω |
| Minimum Impedance HF | 7.8 Ω |
| Frequency Range | 55 - 20000 Hz |
| Dispersion Angle ¹ | 80 ° |
| Magnet Material | Ceramic |

PARAMETERS

| | |
|---------------------|---|
| Resonance Frequency | 57 Hz |
| Re | 5.1 Ω |
| Qes | 0.3 |
| Qms | 5.2 |
| Qts | 0.28 |
| Vas | 79.0 dm ³ (2.8 ft ³) |
| Sd | 522.0 cm ² (80.9 in ²) |
| η _e | 4.7 % |
| X _{max} | 4.0 mm |
| X _{var} | 6.0 mm |
| M _{ms} | 38 g |
| Bl | 15.3 Txm |
| Le | 1.2 mH |
| EBP | 190 Hz |

SERVICE KIT

| | |
|-----------------------|-------------|
| Service Kit LF | RCK012CX328 |
| Replacement diaphragm | MMD3A8 |

SPECIFICATIONS LF UNIT

| | |
|---|----------------|
| LF Sensitivity ² | 99.0 dB |
| LF Nominal Power Handling ³ | 350 W |
| LF Continuous Power Handling ⁴ | 700 W |
| LF Voice Coil Diameter | 76 mm (3.0 in) |
| LF Winding Material | Aluminium |

MOUNTING AND SHIPPING INFO

| | |
|-----------------------------|-------------------------------|
| Overall Diameter | 316 mm (12.4 in) |
| Bolt Circle Diameter | 296 mm (11.6 in) |
| Baffle Cutout Diameter | 282 mm (11.1 in) |
| Depth | 190 mm (7.5 in) |
| Flange and Gasket Thickness | 16 mm (0.62 in) |
| Net Weight | 11.2 kg (24.6 lb) |
| Shipping Weight | 12.3 kg (27.0 lb) |
| Shipping Box | 380x380x240 mm (15x15x9.4 in) |

SPECIFICATIONS HF UNIT

| | |
|---|----------------|
| HF Sensitivity ⁵ | 105.0 dB |
| HF Nominal Power Handling ⁶ | 80 W |
| HF Continuous Power Handling ⁷ | 160 W |
| HF Voice Coil Diameter | 75 mm (3.0 in) |
| HF Winding Material | Aluminium |
| Diaphragm Material | Titanium |
| Recommended Crossover ⁸ | 1.2 kHz |

CROSSOVER

| | |
|--------------------|------------------------|
| Model | XO-3 |
| Filter Type | Two way |
| Nominal Impedance | 8.0 Ω |
| Low-pass Slope | 12.0 dB/oct |
| High-pass Slope | 12.0 dB/oct |
| Overall Dimensions | 107x96 mm (4.2x3.8 in) |
| Weight | 0.55 kg (1.2 lb) |

- Included by -6 dB down points.
- Applied RMS Voltage is set to 2.83V.
- 2 hours test made with continuous pink noise signal (6 dB crest factor) within the range Fs-10Fs. Power calculated on rated minimum impedance. Loudspeaker in free air.
- Power on Continuous Program is defined as 3 dB greater than the Nominal rating.
- Applied RMS Voltage is set to 2.83V.
- 2 hour test made with continuous pink noise signal (6 dB crest factor) within the range from the recommended crossover frequency to 20 kHz. Power calculated on rated minimum impedance. Loudspeaker in free air.
- Power on Continuous Program is defined as 3 dB greater than the Nominal rating.
- 12 dB/oct. or higher slope high-pass filter.

B&C Speakers s.p.a.

Via Poggiomoro, 1 - Loc. Vallina, 50012 Bagno a Ripoli (FI) - ITALY - Tel. +39 055 65721 - Fax +39 055 6572312 - mail@bcspeakers.com